



Message Implementation Guideline

EDIFACT INVRPT D.97A

based on

INVRPT

Inventory report message

UN D.97A S3

Version: 1.3
Issue date: 07.10.2020
Author: Benteler Business Services GmbH

| | |
|---------------------------|---|
| 1 Message Structure..... | 2 |
| 2 Branching Diagram | 3 |
| 3 Segments | 6 |

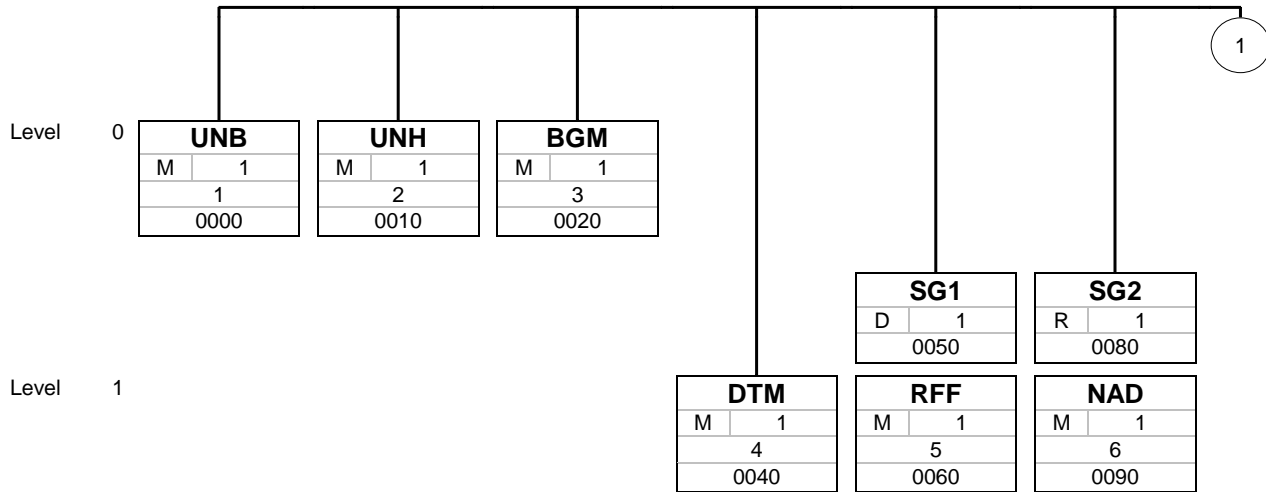
Structure / Table of Contents

| Counter | No | Tag | St | MaxOcc | Level | Content |
|---------|----|-------------|----|--------|-------|--------------------------------------|
| 0000 | 1 | UNB | M | 1 | 0 | INTERCHANGE HEADER |
| 0010 | 2 | UNH | M | 1 | 0 | MESSAGE HEADER |
| 0020 | 3 | BGM | M | 1 | 0 | BEGINNING OF MESSAGE |
| 0040 | 4 | DTM | M | 1 | 1 | DOCUMENT DATE |
| 0050 | | SG1 | D | 1 | 1 | BENTELER REFERENCE |
| 0060 | 5 | RFF | M | 1 | 1 | REFERENCE |
| 0080 | | SG2 | R | 1 | 1 | SELLER INFORMATION |
| 0090 | 6 | NAD | M | 1 | 1 | NAME AND ADDRESS |
| 0080 | | SG2 | O | 1 | 1 | BUYER INFORMATION |
| 0090 | 7 | NAD | M | 1 | 1 | NAME AND ADDRESS |
| 0290 | | SG9 | R | 9999 | 1 | LIN-PIA-SG11 |
| 0300 | 8 | LIN | M | 1 | 1 | LINE ITEM |
| 0310 | 9 | PIA | O | 10 | 2 | ADDITIONAL PRODUCT ID |
| 0420 | | SG11 | R | 9999 | 2 | INV-QTY-SG12-SG14 |
| 0430 | 10 | INV | M | 1 | 2 | INVENTORY MANAGEMENT RELATED DETAILS |
| 0440 | 11 | QTY | M | 1 | 3 | QUANTITY |
| 0490 | | SG12 | R | 1 | 3 | CONSIGNEE INFORMATION |
| 0500 | 12 | NAD | M | 1 | 3 | NAME AND ADDRESS |
| 0560 | | SG14 | D | 10 | 3 | RFF-DTM |
| 0570 | 13 | RFF | M | 1 | 3 | REFERENCE |
| 0580 | 14 | DTM | D | 1 | 4 | DOCUMENT DATE |
| 0700 | 15 | UNT | M | 1 | 0 | MESSAGE TRAILER |
| 0000 | 16 | UNZ | M | 1 | 0 | INTERCHANGE TRAILER |

Counter = Counter of segment/group within the standard
 No = Consecutive segment number
 MaxOcc = Maximum occurrence of the segment/group

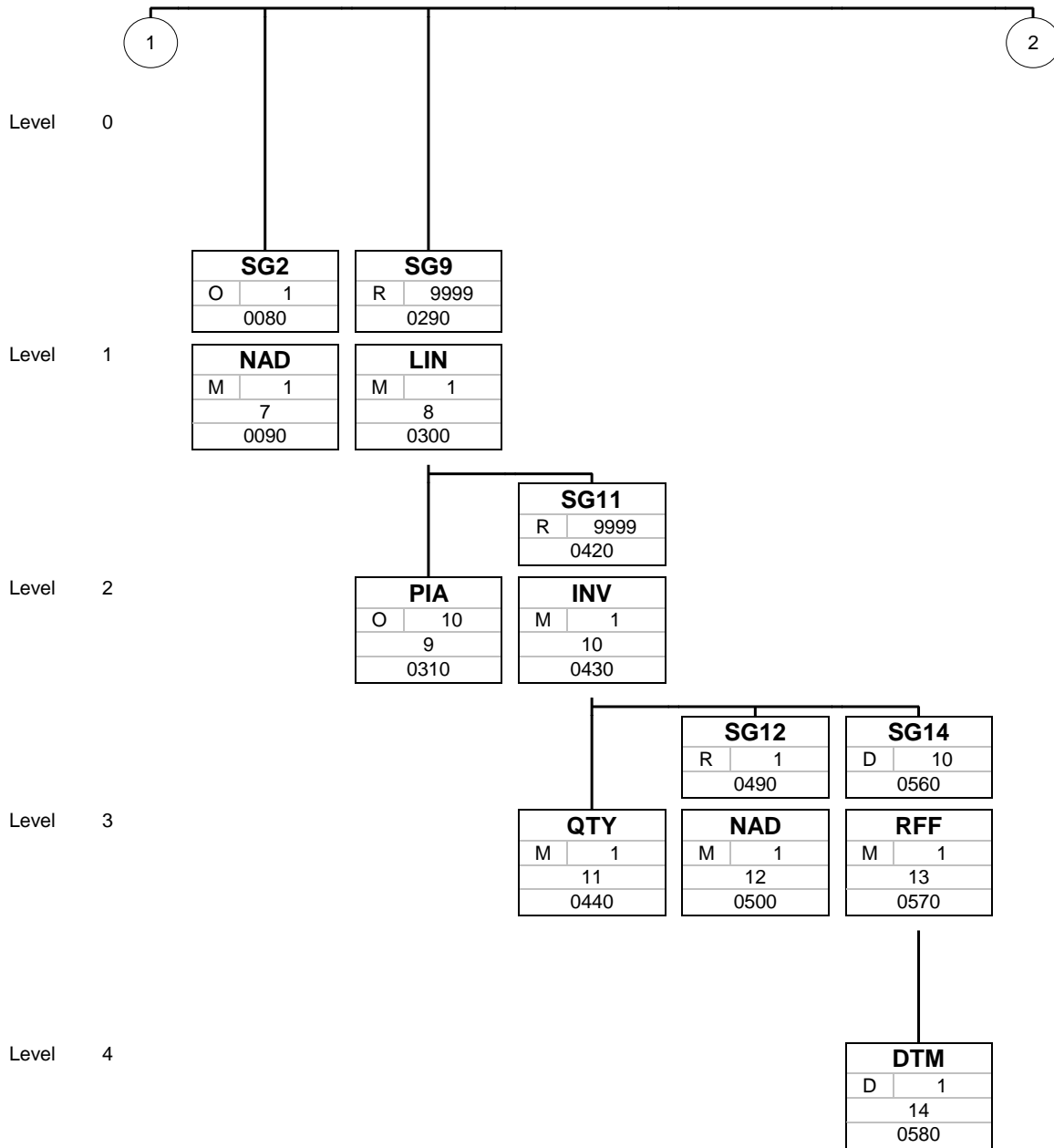
St = Status
 EDIFACT: M=Mandatory, C=Conditional
 User specific: R=Required, O=Optional, D=Dependent,
 A=Advised, N=Not used

Branching Diagram of Used Segments/Groups



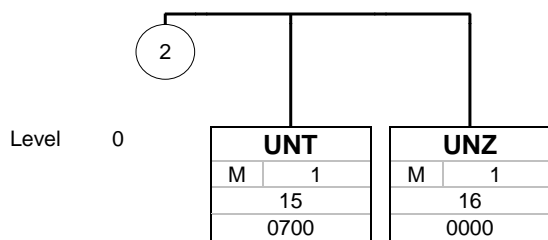
| |
|-----------|
| Tag |
| St MaxOcc |
| No |
| Counter |

Tag = Segment/Group Tag
 St = Status (M=Mandatory, C=Conditional, R=Required, O=Optional, A=Advised, D=Dependent)
 MaxOcc = Maximum occurrence of the segment/group
 No = Consecutive segment number
 Counter = Counter of segment/group within the standard



| | |
|---------|--------|
| Tag | |
| St | MaxOcc |
| No | |
| Counter | |

Tag = Segment/Group Tag
 St = Status (M=Mandatory, C=Conditional, R=Required, O=Optional, A=Advised, D=Dependent)
 MaxOcc = Maximum occurrence of the segment/group
 No = Consecutive segment number
 Counter = Counter of segment/group within the standard



| |
|-----------|
| Tag |
| St MaxOcc |
| No |
| Counter |

Tag = Segment/Group Tag
 St = Status (M=Mandatory, C=Conditional, R=Required, O=Optional, A=Advised, D=Dependent)
 MaxOcc = Maximum occurrence of the segment/group
 No = Consecutive segment number
 Counter = Counter of segment/group within the standard

Segments

| Counter | No | Tag | St | MaxOcc | Level | Name |
|---------|----|-----|----|--------|-------|------|
|---------|----|-----|----|--------|-------|------|

| | | | | | | |
|------|---|------------|---|---|---|--------------------|
| 0000 | 1 | UNB | M | 1 | 0 | INTERCHANGE HEADER |
|------|---|------------|---|---|---|--------------------|

| | | Standard | Implementation | |
|------|---|-----------|----------------|---|
| Tag | Name | St Format | St Format | Usage / Remark |
| UNB | | | | |
| S001 | SYNTAX IDENTIFIER | M | M | |
| 0001 | Syntax identifier | M a4 | M a4 | UNOC UN/ECE level C |
| 0002 | Syntax version number | M n1 | M n1 | 3 Version 3 |
| S002 | INTERCHANGE SENDER | M | M | |
| 0004 | Sender identification | M an..35 | M an..35 | Will be defined for each Benteler Region. |
| 0007 | Partner identification code qualifier | C an..4 | N | Not used |
| 0008 | Address for reverse routing | C an..14 | N | Not used |
| S003 | INTERCHANGE RECIPIENT | M | M | |
| 0010 | Recipient identification | M an..35 | M an..35 | Defined by Receiver. |
| 0007 | Partner identification code qualifier | C an..4 | N | Not used |
| 0014 | Routing address | C an..14 | N | Not used |
| S004 | DATE/TIME OF PREPARATION | M | M | |
| 0017 | Date of preparation | M n6 | M n6 | Format is DDMMYY |
| 0019 | Time of preparation | M n4 | M n4 | Format is HHMM |
| 0020 | Interchange control reference | M an..14 | M an..14 | Unique Interchange control ID. |
| S005 | RECIPIENT'S REFERENCE PASSWORD | C | N | |
| 0022 | Recipient's reference/password | M an..14 | N | Not used |
| 0025 | Recipient's reference/password qualifier | C an2 | N | Not used |
| 0026 | Application reference | C an..14 | N | Not used |
| 0029 | Processing priority code | C a1 | N | Not used |
| 0031 | Acknowledgement request | C n1 | N | Not used |
| 0032 | Communications agreement ID | C an..35 | N | Not used |
| 0035 | Test indicator | C n1 | N | Not used |

Remark:

Example:

UNB+UNOC:3+SENDERID+RECEIVERID+301216:1005+2530014'

No = Consecutive segment number
 MaxOcc = Maximum occurrence of the segment/group
 Counter = Counter of segment/group within the standard

St = Status
 EDIFACT: M=Mandatory, C=Conditional
 User specific: R=Required, O=Optional, D=Dependent,
 A=Advised, N=Not used

| Counter | No | Tag | St | MaxOcc | Level | Name |
|---------|----|------------|----|--------|-------|----------------|
| 0010 | 2 | UNH | M | 1 | 0 | MESSAGE HEADER |

| | | Standard | Implementation | |
|------|---|-----------|----------------|---|
| Tag | Name | St Format | St Format | Usage / Remark |
| UNH | | | | |
| 0062 | Message reference number | M an..14 | M an..14 | Message Number |
| S009 | MESSAGE IDENTIFIER | M | M | |
| 0065 | Message type identifier | M an..6 | M an..6 | INVRPT Inventory report message |
| 0052 | Message type version number | M an..3 | M an..3 | D Draft version/UN/EDIFACT Directory |
| 0054 | Message type release number | M an..3 | M an..3 | 97A Release 1997 - A |
| 0051 | Controlling agency | M an..2 | M an..2 | UN UN/ECE/TRADE/WP.4 |
| 0057 | Association assigned code | C an..6 | N | Not used |
| 0068 | Common access reference | C an..35 | N | Not used |
| S010 | STATUS OF THE TRANSFER | C | N | |
| 0070 | Sequence message transfer number | M n..2 | N | Not used |
| 0073 | First/last sequence message transfer indication | C a1 | N | Not used |

Remark:**Example:**

UNH+1+INVRPT:D:97A:UN'

No = Consecutive segment number
 MaxOcc = Maximum occurrence of the segment/group
 Counter = Counter of segment/group within the standard

St = Status
 EDIFACT: M=Mandatory, C=Conditional
 User specific: R=Required, O=Optional, D=Dependent,
 A=Advised, N=Not used

| Counter | No | Tag | St | MaxOcc | Level | Name |
|---------|----|------------|----|--------|-------|----------------------|
| 0020 | 3 | BGM | M | 1 | 0 | BEGINNING OF MESSAGE |

| | | Standard | Implementation | | |
|------------|-------------------------------------|-----------|----------------|---|--|
| Tag | Name | St Format | St Format | Usage / Remark | |
| BGM | | | | | |
| C002 | DOCUMENT/MESSAGE NAME | C | R | | |
| 1001 | Document/message name, coded | C an..3 | R an..3 | 77 Status report 78 Inventory movement advice 79 Inventory status advice | |
| 1131 | Code list qualifier | C an..3 | N | Not used | |
| 3055 | Code list responsible agency, coded | C an..3 | N | Not used | |
| 1000 | Document/message name | C an..35 | N | Not used | |
| C106 | DOCUMENT/MESSAGE IDENTIFICATION | C | R | | |
| 1004 | Document/message number | C an..35 | R an..35 | Document ID | |
| 1056 | Version | C an..9 | N | Not used | |
| 1060 | Revision number | C an..6 | N | Not used | |
| 1225 | Message function, coded | C an..3 | N | Not used | |
| 4343 | Response type, coded | C an..3 | N | Not used | |

Remark:

Example:

BGM+78+0000000002530014'

No = Consecutive segment number
 MaxOcc = Maximum occurrence of the segment/group
 Counter = Counter of segment/group within the standard

St = Status
 EDIFACT: M=Mandatory, C=Conditional
 User specific: R=Required, O=Optional, D=Dependent,
 A=Advised, N=Not used

| Counter | No | Tag | St | MaxOcc | Level | Name |
|---------|----|------------|----|--------|-------|---------------|
| 0040 | 4 | DTM | M | 1 | 1 | DOCUMENT DATE |

| | | Standard | Implementation | |
|------|-----------------------------------|-----------|----------------|---------------------------------------|
| Tag | Name | St Format | St Format | Usage / Remark |
| DTM | | | | |
| C507 | DATE/TIME/PERIOD | M | M | |
| 2005 | Date/time/period qualifier | M an..3 | M an..3 | 137 Document/message date/time |
| 2380 | Date/time/period | C an..35 | R an..35 | Example= 201612301005 |
| 2379 | Date/time/period format qualifier | C an..3 | R an..3 | 203 CCYYMMDDHHMM |

Remark:

Example:

DTM+137:201612301005:203'

No = Consecutive segment number
 MaxOcc = Maximum occurrence of the segment/group
 Counter = Counter of segment/group within the standard

St = Status
 EDIFACT: M=Mandatory, C=Conditional
 User specific: R=Required, O=Optional, D=Dependent,
 A=Advised, N=Not used

| Counter | No | Tag | St | MaxOcc | Level | Name |
|---------|----|------------|----|--------|-------|---------------------------|
| 0050 | | SG1 | D | 1 | 1 | BENTELER REFERENCE |
| | | | | | | Benteler defined Value. |
| 0060 | 5 | RFF | M | 1 | 1 | REFERENCE |

| Standard | | | Implementation | |
|----------|--------------------------|-----------|----------------|--|
| Tag | Name | St Format | St Format | Usage / Remark |
| RFF | | | | |
| C506 | REFERENCE | M | M | |
| 1153 | Reference qualifier | M an..3 | M an..3 | ZZZ Mutually defined reference number |
| 1154 | Reference number | C an..35 | R an..35 | Benteler defined value. |
| 1156 | Line number | C an..6 | N | Not used |
| 4000 | Reference version number | C an..35 | N | Not used |

Remark:**Example:**

RFF+ZZZ:0024555369'

No = Consecutive segment number
 MaxOcc = Maximum occurrence of the segment/group
 Counter = Counter of segment/group within the standard

St = Status
 EDIFACT: M=Mandatory, C=Conditional
 User specific: R=Required, O=Optional, D=Dependent,
 A=Advised, N=Not used

| Counter | No | Tag | St | MaxOcc | Level | Name |
|---------|----|------------|----|--------|-------|---------------------------|
| 0080 | | SG2 | R | 1 | 1 | SELLER INFORMATION |
| 0090 | 6 | NAD | M | 1 | 1 | NAME AND ADDRESS |

| Standard | | | Implementation | |
|----------|-------------------------------------|-----------|----------------|---|
| Tag | Name | St Format | St Format | Usage / Remark |
| NAD | | | | |
| 3035 | Party qualifier | M an..3 | M an..3 | SE Seller |
| C082 | PARTY IDENTIFICATION DETAILS | C | R | |
| 3039 | Party id. identification | M an..35 | M an..35 | Seller ID |
| 1131 | Code list qualifier | C an..3 | N | Not used |
| 3055 | Code list responsible agency, coded | C an..3 | O an..3 | 92 Assigned by buyer or buyer's agent |
| C058 | NAME AND ADDRESS | C | N | |
| 3124 | Name and address line | M an..35 | N | Not used |
| 3124 | Name and address line | C an..35 | N | Not used |
| 3124 | Name and address line | C an..35 | N | Not used |
| 3124 | Name and address line | C an..35 | N | Not used |
| 3124 | Name and address line | C an..35 | N | Not used |
| C080 | PARTY NAME | C | O | |
| 3036 | Party name | M an..35 | M an..35 | Seller Name |
| 3036 | Party name | C an..35 | N | Not used |
| 3036 | Party name | C an..35 | N | Not used |
| 3036 | Party name | C an..35 | N | Not used |
| 3036 | Party name | C an..35 | N | Not used |
| 3045 | Party name format, coded | C an..3 | N | Not used |
| C059 | STREET | C | O | |
| 3042 | Street and number/p.o. box | M an..35 | M an..35 | Seller Street |
| 3042 | Street and number/p.o. box | C an..35 | N | Not used |
| 3042 | Street and number/p.o. box | C an..35 | N | Not used |
| 3042 | Street and number/p.o. box | C an..35 | N | Not used |
| 3164 | City name | C an..35 | O an..35 | Seller City |
| 3229 | Country sub-entity identification | C an..9 | N | Not used |
| 3251 | Postcode identification | C an..9 | O an..9 | Seller ZIP Code |
| 3207 | Country, coded | C an..3 | O an..3 | DE GERMANY Further codes can be used. |

Remark:**Example:**

NAD+SE+400740::92++Seller Name+Seller Street+Seller City++33303+DE'

No = Consecutive segment number
 MaxOcc = Maximum occurrence of the segment/group
 Counter = Counter of segment/group within the standard

St = Status
 EDIFACT: M=Mandatory, C=Conditional
 User specific: R=Required, O=Optional, D=Dependent,
 A=Advised, N=Not used

| Counter | No | Tag | St | MaxOcc | Level | Name |
|---------|----|------------|----|--------|-------|--------------------------|
| 0080 | | SG2 | O | 1 | 1 | BUYER INFORMATION |
| 0090 | 7 | NAD | M | 1 | 1 | NAME AND ADDRESS |

| Standard | | | Implementation | |
|----------|-------------------------------------|-----------|----------------|---|
| Tag | Name | St Format | St Format | Usage / Remark |
| NAD | | | | |
| 3035 | Party qualifier | M an..3 | M an..3 | BY Buyer |
| C082 | PARTY IDENTIFICATION DETAILS | C | R | |
| 3039 | Party id. identification | M an..35 | M an..35 | Buyer ID |
| 1131 | Code list qualifier | C an..3 | N | Not used |
| 3055 | Code list responsible agency, coded | C an..3 | O an..3 | 92 Assigned by buyer or buyer's agent |
| C058 | NAME AND ADDRESS | C | N | |
| 3124 | Name and address line | M an..35 | N | Not used |
| 3124 | Name and address line | C an..35 | N | Not used |
| 3124 | Name and address line | C an..35 | N | Not used |
| 3124 | Name and address line | C an..35 | N | Not used |
| 3124 | Name and address line | C an..35 | N | Not used |
| C080 | PARTY NAME | C | O | |
| 3036 | Party name | M an..35 | M an..35 | Buyer Name |
| 3036 | Party name | C an..35 | N | Not used |
| 3036 | Party name | C an..35 | N | Not used |
| 3036 | Party name | C an..35 | N | Not used |
| 3036 | Party name | C an..35 | N | Not used |
| 3045 | Party name format, coded | C an..3 | N | Not used |
| C059 | STREET | C | O | |
| 3042 | Street and number/p.o. box | M an..35 | M an..35 | Buyer Street |
| 3042 | Street and number/p.o. box | C an..35 | N | Not used |
| 3042 | Street and number/p.o. box | C an..35 | N | Not used |
| 3042 | Street and number/p.o. box | C an..35 | N | Not used |
| 3164 | City name | C an..35 | O an..35 | Buyer City |
| 3229 | Country sub-entity identification | C an..9 | N | Not used |
| 3251 | Postcode identification | C an..9 | O an..9 | Buyer ZIP code |
| 3207 | Country, coded | C an..3 | O an..3 | DE GERMANY Further codes can be used. |

Remark:**Example:**

NAD+BY+200478::92++Buyer Name+Buyer Street+Buyer City++33939+DE'

No = Consecutive segment number
 MaxOcc = Maximum occurrence of the segment/group
 Counter = Counter of segment/group within the standard

St = Status
 EDIFACT: M=Mandatory, C=Conditional
 User specific: R=Required, O=Optional, D=Dependent,
 A=Advised, N=Not used

| Counter | No | Tag | St | MaxOcc | Level | Name |
|---------|----|------------|----|--------|-------|---------------------|
| 0290 | | SG9 | R | 9999 | 1 | LIN-PIA-SG11 |
| 0300 | 8 | LIN | M | 1 | 1 | LINE ITEM |

| Standard | | | Implementation | |
|----------|-------------------------------------|-----------|----------------|-------------------------------|
| Tag | Name | St Format | St Format | Usage / Remark |
| LIN | | | | |
| 1082 | Line item number | C an..6 | N | Not used |
| 1229 | Action request/notification, coded | C an..3 | N | Not used |
| C212 | ITEM NUMBER IDENTIFICATION | C | R | |
| 7140 | Item number | C an..35 | R an..35 | Item number |
| 7143 | Item number type, coded | C an..3 | R an..3 | IN Buyer's item number |
| 1131 | Code list qualifier | C an..3 | N | Not used |
| 3055 | Code list responsible agency, coded | C an..3 | N | Not used |
| C829 | SUB-LINE INFORMATION | C | N | |
| 5495 | Sub-line indicator, coded | C an..3 | N | Not used |
| 1082 | Line item number | C an..6 | N | Not used |
| 1222 | Configuration level | C n..2 | N | Not used |
| 7083 | Configuration, coded | C an..3 | N | Not used |

Remark:

Example:

LIN+++33399612:IN'

No = Consecutive segment number
 MaxOcc = Maximum occurrence of the segment/group
 Counter = Counter of segment/group within the standard

St = Status
 EDIFACT: M=Mandatory, C=Conditional
 User specific: R=Required, O=Optional, D=Dependent,
 A=Advised, N=Not used

| Counter | No | Tag | St | MaxOcc | Level | Name |
|---------|----|------------|----|--------|-------|-----------------------|
| 0290 | | SG9 | R | 9999 | 1 | LIN-PIA-SG11 |
| 0310 | 9 | PIA | O | 10 | 2 | ADDITIONAL PRODUCT ID |

| Standard | | | Implementation | |
|----------|-------------------------------------|-----------|----------------|---|
| Tag | Name | St Format | St Format | Usage / Remark |
| PIA | | | | |
| 4347 | Product id. function qualifier | M an..3 | M an..3 | 1 Additional identification |
| C212 | ITEM NUMBER IDENTIFICATION | M | M | |
| 7140 | Item number | C an..35 | R an..35 | Production batch number (concerns only steel suppliers) |
| 7143 | Item number type, coded | C an..3 | N | Not used |
| 1131 | Code list qualifier | C an..3 | N | Not used |
| 3055 | Code list responsible agency, coded | C an..3 | N | Not used |
| C212 | ITEM NUMBER IDENTIFICATION | C | N | |
| 7140 | Item number | C an..35 | N | Not used |
| 7143 | Item number type, coded | C an..3 | N | Not used |
| 1131 | Code list qualifier | C an..3 | N | Not used |
| 3055 | Code list responsible agency, coded | C an..3 | N | Not used |
| C212 | ITEM NUMBER IDENTIFICATION | C | N | |
| 7140 | Item number | C an..35 | N | Not used |
| 7143 | Item number type, coded | C an..3 | N | Not used |
| 1131 | Code list qualifier | C an..3 | N | Not used |
| 3055 | Code list responsible agency, coded | C an..3 | N | Not used |
| C212 | ITEM NUMBER IDENTIFICATION | C | N | |
| 7140 | Item number | C an..35 | N | Not used |
| 7143 | Item number type, coded | C an..3 | N | Not used |
| 1131 | Code list qualifier | C an..3 | N | Not used |
| 3055 | Code list responsible agency, coded | C an..3 | N | Not used |
| C212 | ITEM NUMBER IDENTIFICATION | C | N | |
| 7140 | Item number | C an..35 | N | Not used |
| 7143 | Item number type, coded | C an..3 | N | Not used |
| 1131 | Code list qualifier | C an..3 | N | Not used |
| 3055 | Code list responsible agency, coded | C an..3 | N | Not used |

Remark:
The PIA segment is only used in case of a production batch number (concerns steel suppliers)

Example:
PIA+1+XX11111'

No = Consecutive segment number
MaxOcc = Maximum occurrence of the segment/group
Counter = Counter of segment/group within the standard

St = Status
EDIFACT: M=Mandatory, C=Conditional
User specific: R=Required, O=Optional, D=Dependent,
A=Advised, N=Not used

| Counter | No | Tag | St | MaxOcc | Level | Name |
|---------|----|-------------|----|--------|-------|--------------------------------------|
| 0420 | | SG11 | R | 9999 | 2 | INV-QTY-SG12-SG14 |
| 0430 | 10 | INV | M | 1 | 2 | INVENTORY MANAGEMENT RELATED DETAILS |

| Standard | | | Implementation | |
|----------|--------------------------------------|-----------|----------------|--|
| Tag | Name | St Format | St Format | Usage / Remark |
| INV | | | | |
| 4501 | Inventory movement direction, coded | C an..3 | R an..3 | 1 Movement out of inventory 2 Movement into inventory |
| 7491 | Type of inventory affected, coded | C an..3 | N | Not used |
| 4499 | Reason for inventory movement, coded | C an..3 | R an..3 | 1 Reception 2 Delivery 3 Scrapped parts 4 Difference 5 Property transfer within warehouse 6 Inventory recycling 7 Reversal of previous movement 8 Defects (technical) 9 Commercial 10 Conversion 11 Consumption |
| 4503 | Inventory balance method, coded | C an..3 | N | Not used |
| C522 | INSTRUCTION | C | N | |
| 4403 | Instruction qualifier | M an..3 | N | Not used |
| 4401 | Instruction, coded | C an..3 | N | Not used |
| 1131 | Code list qualifier | C an..3 | N | Not used |
| 3055 | Code list responsible agency, coded | C an..3 | N | Not used |
| 4400 | Instruction | C an..35 | N | Not used |

Remark:

Example:
INV+1+++11'

No = Consecutive segment number
 MaxOcc = Maximum occurrence of the segment/group
 Counter = Counter of segment/group within the standard

St = Status
 EDIFACT: M=Mandatory, C=Conditional
 User specific: R=Required, O=Optional, D=Dependent,
 A=Advised, N=Not used

| Counter | No | Tag | St | MaxOcc | Level | Name |
|---------|------|-------------|----|--------|-------|-------------------|
| | 0420 | SG11 | R | 9999 | 2 | INV-QTY-SG12-SG14 |
| | 0440 | QTY | M | 1 | 3 | QUANTITY |

| Standard | | | Implementation | |
|----------|------------------------|-----------|----------------|--|
| Tag | Name | St Format | St Format | Usage / Remark |
| QTY | | | | |
| C186 | QUANTITY DETAILS | M | M | |
| 6063 | Quantity qualifier | M an..3 | M an..3 | 1 Discrete quantity 3 Cumulative quantity 17 Quantity on hand |
| 6060 | Quantity | M n..15 | M n..15 | Quantity |
| 6411 | Measure unit qualifier | C an..3 | R an..3 | PCE piece KGM kilogram LTR litre TNE tonne (metric ton) |

Remark:

Example:

QTY+1:1500:PCE'

No = Consecutive segment number
 MaxOcc = Maximum occurrence of the segment/group
 Counter = Counter of segment/group within the standard

St = Status
 EDIFACT: M=Mandatory, C=Conditional
 User specific: R=Required, O=Optional, D=Dependent,
 A=Advised, N=Not used

| Counter | No | Tag | St | MaxOcc | Level | Name |
|---------|----|-------------|----|--------|-------|-----------------------|
| 0490 | | SG12 | R | 1 | 3 | CONSIGNEE INFORMATION |
| 0500 | 12 | NAD | M | 1 | 3 | NAME AND ADDRESS |

| Standard | | | Implementation | |
|----------|-------------------------------------|-----------|----------------|---|
| Tag | Name | St Format | St Format | Usage / Remark |
| NAD | | | | |
| 3035 | Party qualifier | M an..3 | M an..3 | CN Consignee |
| C082 | PARTY IDENTIFICATION DETAILS | C | R | |
| 3039 | Party id. identification | M an..35 | M an..35 | Receiver ID |
| 1131 | Code list qualifier | C an..3 | N | Not used |
| 3055 | Code list responsible agency, coded | C an..3 | O an..3 | 92 Assigned by buyer or buyer's agent |
| C058 | NAME AND ADDRESS | C | N | |
| 3124 | Name and address line | M an..35 | N | Not used |
| 3124 | Name and address line | C an..35 | N | Not used |
| 3124 | Name and address line | C an..35 | N | Not used |
| 3124 | Name and address line | C an..35 | N | Not used |
| 3124 | Name and address line | C an..35 | N | Not used |
| C080 | PARTY NAME | C | O | |
| 3036 | Party name | M an..35 | M an..35 | CN Name |
| 3036 | Party name | C an..35 | N | Not used |
| 3036 | Party name | C an..35 | N | Not used |
| 3036 | Party name | C an..35 | N | Not used |
| 3036 | Party name | C an..35 | N | Not used |
| 3045 | Party name format, coded | C an..3 | N | Not used |
| C059 | STREET | C | O | |
| 3042 | Street and number/p.o. box | M an..35 | M an..35 | CN Street |
| 3042 | Street and number/p.o. box | C an..35 | N | Not used |
| 3042 | Street and number/p.o. box | C an..35 | N | Not used |
| 3042 | Street and number/p.o. box | C an..35 | N | Not used |
| 3164 | City name | C an..35 | O an..35 | CN City |
| 3229 | Country sub-entity identification | C an..9 | N | Not used |
| 3251 | Postcode identification | C an..9 | O an..9 | CN ZIP Code. |
| 3207 | Country, coded | C an..3 | O an..3 | DE GERMANY Further codes can be used. |

Remark:**Example:**

NAD+CN+0023::92++CN Name+CN Street+CN City++33020+DE'

No = Consecutive segment number
 MaxOcc = Maximum occurrence of the segment/group
 Counter = Counter of segment/group within the standard

St = Status
 EDIFACT: M=Mandatory, C=Conditional
 User specific: R=Required, O=Optional, D=Dependent,
 A=Advised, N=Not used

| Counter | No | Tag | St | MaxOcc | Level | Name |
|--|----|-------------|----|--------|-------|------------------|
| 0560 | | SG14 | D | 10 | 3 | RFF-DTM |
| RFF Segments can vary depend on Benteler location. | | | | | | |
| 0570 | 13 | RFF | M | 1 | 3 | REFERENCE |

| Standard | | | Implementation | |
|----------|--------------------------|-----------|----------------|--|
| Tag | Name | St Format | St Format | Usage / Remark |
| RFF | | | | |
| C506 | REFERENCE | M | M | |
| 1153 | Reference qualifier | M an..3 | M an..3 | ZZZ Mutually defined reference number DM Document number ACO Iron charge number ACP Hot roll number ACQ Cold roll number BT Batch number/lot number AAK Despatch advice number ON Order number (purchase) |
| 1154 | Reference number | C an..35 | R an..35 | |
| 1156 | Line number | C an..6 | N | Not used |
| 4000 | Reference version number | C an..35 | N | Not used |

Remark:

Example:

RFF+DM:22711456'

No = Consecutive segment number
 MaxOcc = Maximum occurrence of the segment/group
 Counter = Counter of segment/group within the standard

St = Status
 EDIFACT: M=Mandatory, C=Conditional
 User specific: R=Required, O=Optional, D=Dependent,
 A=Advised, N=Not used

| Counter | No | Tag | St | MaxOcc | Level | Name |
|--|----|-------------|----|--------|-------|----------------------|
| 0560 | | SG14 | D | 10 | 3 | RFF-DTM |
| RFF Segments can vary depend on Benteler location. | | | | | | |
| 0580 | 14 | DTM | D | 1 | 4 | DOCUMENT DATE |

| | | Standard | Implementation | | |
|------|-----------------------------------|-----------|----------------|---------------------------------------|--|
| Tag | Name | St Format | St Format | Usage / Remark | |
| DTM | | | | | |
| C507 | DATE/TIME/PERIOD | M | M | | |
| 2005 | Date/time/period qualifier | M an..3 | M an..3 | 137 Document/message date/time | |
| 2380 | Date/time/period | C an..35 | R an..35 | Example= 20161230 | |
| 2379 | Date/time/period format qualifier | C an..3 | R an..3 | 102 CCYYMMDD | |

Remark:
DTM only appears with RFF+DM

Example:
DTM+137:20161230:102'

No = Consecutive segment number
MaxOcc = Maximum occurrence of the segment/group
Counter = Counter of segment/group within the standard

St = Status
EDIFACT: M=Mandatory, C=Conditional
User specific: R=Required, O=Optional, D=Dependent,
A=Advised, N=Not used

| Counter | No | Tag | St | MaxOcc | Level | Name |
|---------|----|------------|----|--------|-------|-----------------|
| 0700 | 15 | UNT | M | 1 | 0 | MESSAGE TRAILER |

| | | Standard | Implementation | |
|------|---------------------------------|-----------|----------------|----------------|
| Tag | Name | St Format | St Format | Usage / Remark |
| UNT | | | | |
| 0074 | Number of segments in a message | M n..6 | M n..6 | |
| 0062 | Message reference number | M an..14 | M an..14 | |

Remark:

Example:
UNT+14+1'

No = Consecutive segment number
 MaxOcc = Maximum occurrence of the segment/group
 Counter = Counter of segment/group within the standard

St = Status
 EDIFACT: M=Mandatory, C=Conditional
 User specific: R=Required, O=Optional, D=Dependent,
 A=Advised, N=Not used

| Counter | No | Tag | St | MaxOcc | Level | Name |
|---------|----|------------|----|--------|-------|---------------------|
| 0000 | 16 | UNZ | M | 1 | 0 | INTERCHANGE TRAILER |

| | | Standard | Implementation | |
|------|-------------------------------|-----------|----------------|----------------|
| Tag | Name | St Format | St Format | Usage / Remark |
| UNZ | | | | |
| 0036 | Interchange control count | M n..6 | M n..6 | |
| 0020 | Interchange control reference | M an..14 | M an..14 | |

Remark:

Example:

UNZ+1+2530014'

No = Consecutive segment number
 MaxOcc = Maximum occurrence of the segment/group
 Counter = Counter of segment/group within the standard

St = Status
 EDIFACT: M=Mandatory, C=Conditional
 User specific: R=Required, O=Optional, D=Dependent,
 A=Advised, N=Not used